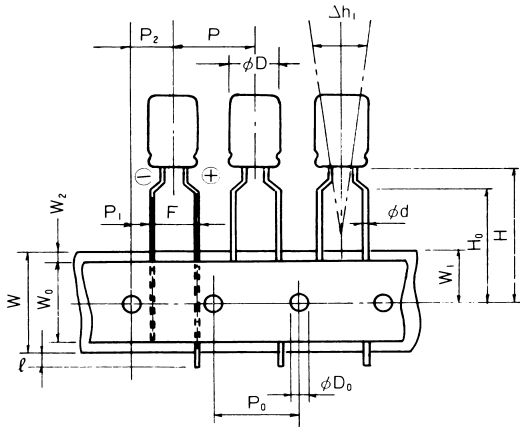


Taping and Packaging Specifications

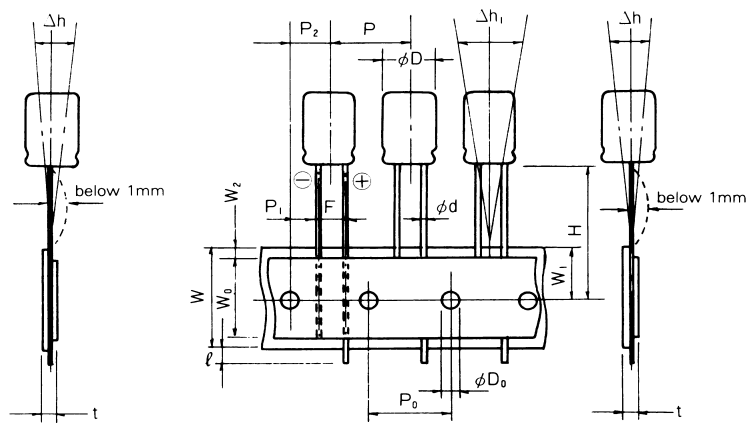


Radial Lead Taping Specifications

Formed Lead Type



Straight Lead Type



Coding

Specifications					Dia.	Symbol
Packing	Lead Style	Leader	F	Po		
Ammo Pack	Formed	--	5	12.7	4 ~ 8	TA
	Straight	--	See Below	12.7	3 ~ 10	TAS+F
Reel Pack	Formed	Cathode	5	12.7	4 ~ 8	TM5
		Anode	5	12.7	4 ~ 8	TP5
	Straight	Cathode	See Below	12.7	3 ~ 10	TM+F
		Anode	See Below	12.7	3 ~ 10	TP+F

Select "F" from table below

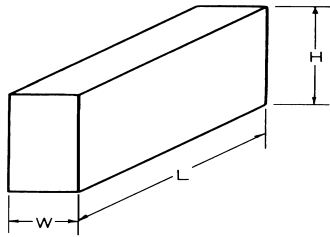
Select "F" from table below

Select "F" from table below

Dimensions

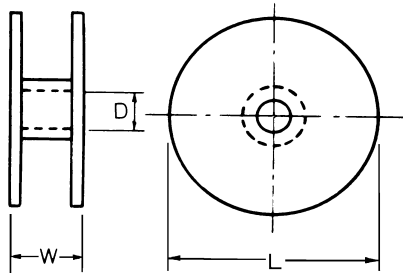
Item	Dia==>	Forming Lead Type				Straight Lead Type					Tol.
		5L, 7L	8mm	Others	3, 3.5, 4	5	6.3	8	10		
Lead Wire Dia.	d	0.45	0.6	0.5	0.4/0.45	0.45/0.5	0.45/0.5	0.6	0.6	+/-0.1	
Body Pitch	P	12.7	12.7	12.7	12.7	12.7	12.7	12.7	12.7	+/-1.0	
Feeding Hole Pitch	P ₀	12.7	12.7	12.7	12.7	12.7	12.7	12.7	12.7	+/-0.2	
Feeding Hole Off Alignment	P ₁	3.85	3.85	3.85	5.1	5.1	5.1	4.6	3.85	+/-0.7	
Feeding Hole Off Alignment	P ₂	6.35	6.35	6.35	6.35	6.35	6.35	6.35	6.35	+/-1.0	
Lead Centre Spacing	F	5	5	5	2.5	2.5	2.5	3.5	5	+0.8/-0.2	
Tape Width	W	18	18	18	18	18	18	18	18	+/-0.5	
Adhesive Tape Width	W ₀	12.5	12.5	12.5	12.5	12.5	12.5	12.5	12.5	MIN	
Feeding Hole Off Alignment	W ₁	9	9	9	9	9	9	9	9	+/-0.5	
Adhesive Tape Off Alignment	W ₂	1.5	1.5	1.5	1.5	1.5	1.5	1.5	1.5	MAX	
Body (Bottom) Height	H	17.5	20	18.5	18.5	18.5	18.5	18.5	18.5	+/-0.75	
Lead Clinch Height	H ₀	16	16	16	--	--	--	--	--	+/-0.5	
Cut Lead Height	l	1	1	1	1	1	1	1	1	MAX	
Feed Hole Diameter	D ₀	4	4	4	4	4	4	4	4	+/-0.2	
Body Inclination	h	0	0	0	0	0	0	0	0	+/-2.0	
Body Inclination	h ₁	0	0	0	0	0	0	0	0	+/-2.0	
Total Tape Thickness	t	0.7	0.7	0.7	0.7	0.7	0.7	0.7	0.7	+/-0.2	

Radial Lead Packing Specification
Ammo-Pack



L	H	W	Size	Qty
340	190	48	3x5, 3.5x5, 4x5, 4x7	2000
340	280	48	5x5, 5x7, 6.3x5, 6.3x7	2000
340	280	54	5x9, 5x11, 6.3x9, 6.3x11	2000
			6.3x11, 6.3x15	2000
			8x9, 8x11.5, 8x15	1000
			10x9, 10x12.5	500
340	280	62	8x20	1000
			10x16, 10x20	500

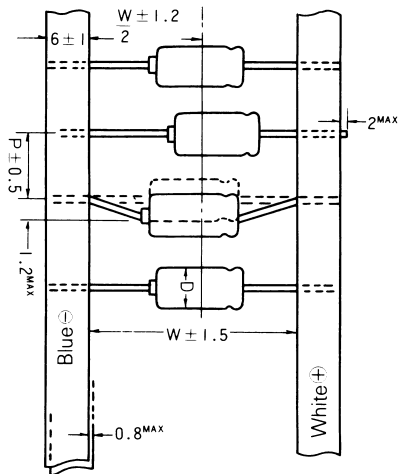
Reel-Pack



Reel Size and Packing Quantity

L	H	W	Size	Qty
360	54	30	3x5, 3.5x5, 4x5, 4x7	1500
			5x5, 5x7, 5x9, 5x11	1000
			6.3x5, 6.3x7, 6.3x9	1000
			6.3x11, 6.3x15	1000
			8x9, 8x11.5, 8x15	800
380	62	15	10x9, 10x12.5	500
			8x20	800
			10x16, 10x20	500

Axial Lead Taping Specifications



Details for reeled packing

W	P	Product Diameter	Code
52.4	10	5, 6.3, 8	TR0
63.5	10	5, 6.3, 8	TR1
52.4	15	10	TR6
63.5	15	10, 12.5	TR7

Reel Size and Packing Quantity

W	H	Product Diameter	Qty
52.4	82	5	1500
		6.3, 8	1000
63.5	93	5, 6.3, 8	1000
		10	500
		12.5	300

