

GPN Series

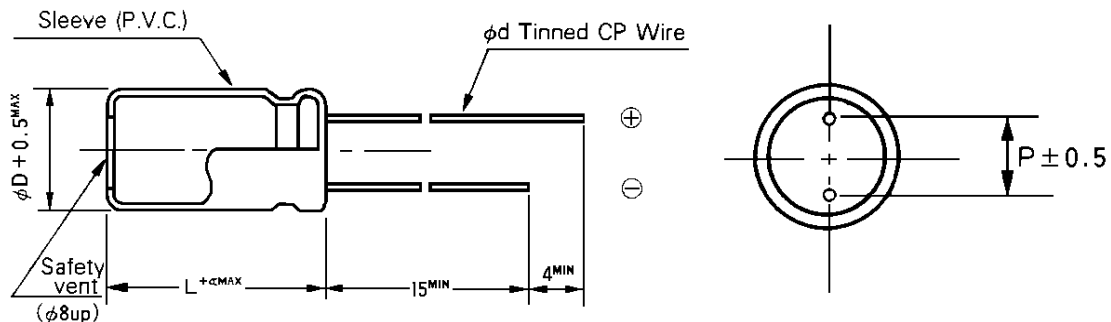


Features

- * Radial Bi-Polar type
- * Smaller can size than conventional product
- * 1000 Hour lifetime at 85°C
- * Solvent proof

Item	Performance Characteristics																														
Operating Temperature Range	-40°C to +85°C																														
Working Voltage Range	6.3 to 100 Volts D.C.																														
Nominal Capacitance Range	0.1 to 6800 uF																														
Capacitance Tolerance	+/- 20 % (120 Hz), 20°C																														
Leakage Current (+20°C)	$I \leq 0.03 CV$ or 3 uA, whichever is greater after 5 minutes of applied voltage																														
Dissipation Factor % (120 Hz, +20°C)	Less than the value below																														
	<table border="1"> <tr> <td>WVDC</td> <td>6.3</td> <td>10</td> <td>16</td> <td>25</td> <td>35</td> <td>50</td> <td>63</td> <td>100</td> <td>120 Hz</td> </tr> <tr> <td>tan δ (Max)</td> <td>0.26</td> <td>0.24</td> <td>0.22</td> <td>0.2</td> <td>0.16</td> <td>0.14</td> <td>0.12</td> <td>0.1</td> <td>20°C</td> </tr> </table>	WVDC	6.3	10	16	25	35	50	63	100	120 Hz	tan δ (Max)	0.26	0.24	0.22	0.2	0.16	0.14	0.12	0.1	20°C										
	WVDC	6.3	10	16	25	35	50	63	100	120 Hz																					
tan δ (Max)	0.26	0.24	0.22	0.2	0.16	0.14	0.12	0.1	20°C																						
For capacitances of more than 1000uF, add 0.02 for every increase of 1000uf (120Hz, 20°C)																															
Temperature Characteristic	Impedence Ratio																														
	<table border="1"> <tr> <td>WVDC</td> <td>6.3</td> <td>10</td> <td>16</td> <td>25</td> <td>35</td> <td>50</td> <td>63</td> <td>100</td> <td>120 Hz</td> </tr> <tr> <td>Z(-25°C) / Z(+20°C)</td> <td>4</td> <td>3</td> <td>2</td> <td>2</td> <td>2</td> <td>2</td> <td>2</td> <td>2</td> <td></td> </tr> <tr> <td>Z(-40°C) / Z(+20°C)</td> <td>10</td> <td>8</td> <td>6</td> <td>5</td> <td>4</td> <td>4</td> <td>3</td> <td>3</td> <td></td> </tr> </table>	WVDC	6.3	10	16	25	35	50	63	100	120 Hz	Z(-25°C) / Z(+20°C)	4	3	2	2	2	2	2	2		Z(-40°C) / Z(+20°C)	10	8	6	5	4	4	3	3	
	WVDC	6.3	10	16	25	35	50	63	100	120 Hz																					
Z(-25°C) / Z(+20°C)	4	3	2	2	2	2	2	2																							
Z(-40°C) / Z(+20°C)	10	8	6	5	4	4	3	3																							
Test conditions																															
Load Life	Duration:	1000 Hrs																													
	Ambient temperature:	+85°C																													
	Applied voltage:	Rated working voltage Polarity reversed every 250 Hrs																													
	Ripple Current:	Maximum rated ripple current.																													
	After testing--Measure at 20°C																														
	Capacitance change:	$\leq \pm 20\%$ of initial measured value																													
	Dissipation factor:	$\leq 200\%$ of initial specified value																													
Leakage current:	\leq The initial specified value																														
Shelf Life	Test Conditions																														
	Duration time:	1000 Hrs																													
	Ambient temperature:	+85°C																													
	Applied voltage:	According to JIS C-5102 4-3																													
	After testing--Measure at 20°C																														
Same limits as for load life.																															
Marking	White print on orange sleeve																														
Applicable Standards	Characteristics of W of JIS C-5141																														

Physical Dimensions and Mounting Details



Diameter	5	6.3	8	10	12.5	16	18
Lead Pitch	2.0	2.5	3.5	5.0	5.0	7.5	7.5
Lead Diameter	0.5	0.5	0.5	0.6	0.6	0.8	0.8

GPN Series



Ir (mA) specified at 85°C and 120 KHz

GPN Standard Products Table 6.3 to 25 Volt

uF	6.3 V		10 V		16 V		25 V	
	Dia x L	Ir(mA)	Dia x L	Ir(mA)	Dia x L	Ir(mA)	Dia x L	Ir(mA)
4.7								
10					5 x 11	39	5 x 11	41
22			5 x 11	55	5 x 11	58	6.3 x 11	65
33	5 x 11	65	5 x 11	68	5 x 11	71	6.3 x 11	80
47	5 x 11	78	5 x 11	81	6.3 x 11	91	6.3 x 11	95
100	6.3 x 11	120	6.3 x 11	125	8 x 11.5	150	8 x 11.5	160
220	8 x 11.5	205	8 x 11.5	215	10 x 12.5	260	10 x 16	300
330	8 x 11.5	255	10 x 16	340	10 x 16	355	12.5 x 20	455
470	10 x 12.5	350	10 x 16	405	10 x 20	460	12.5 x 20	545
1000	10 x 20	615	12.5 x 20	720	12.5 x 25	815	12.5 x 25	950
2200	12.5 x 25	1070	16 x 25	1230	16 x 31.5	1380	16 x 31.5	1540
3300	16 x 25	1410	16 x 31.5	1570	18 x 35.5	1740		
4700	16 x 31.5	1750	18 x 35.5	1930				
6800	18 x 31.5	2120						

GPN Standard Products Table 35 to 100 Volt

uF	35 V		50 V		63 V		100 V	
	Dia x L	Ir(mA)	Dia x L	Ir(mA)	Dia x L	Ir(mA)	Dia x L	Ir(mA)
0.1			5 x 11	1			5 x 11	2
0.22			5 x 11	2			5 x 11	4
0.33			5 x 11	3			5 x 11	7
0.47			5 x 11	5			5 x 11	10
1			5 x 11	10			5 x 11	18
2.2			5 x 11	23			6.3 x 11	29
3.3			5 x 11	28			6.3 x 11	35
4.7	5 x 11	31	5 x 11	33	5 x 11	36	6.3 x 11	42
10	5 x 11	45	6.3 x 11	52	6.3 x 11	57	8 x 11.5	71
22	6.3 x 11	73	8 x 11.5	89	8 x 11.5	96	10 x 16	135
33	8 x 11.5	100	8 x 11.5	105	10 x 12.5	135	12.5 x 20	200
47	8 x 11.5	120	10 x 12.5	150	10 x 16	180	12.5 x 20	240
100	10 x 16	225	10 x 20	265	12.5 x 20	320	16 x 25	425
220	12.5 x 20	415	12.5 x 25	480	16 x 25	575	18 x 35.5	725
330	12.5 x 20	510	16 x 25	650	16 x 31.5	755		
470	12.5 x 25	655	16 x 31.5	835	16 x 35.5	965		
1000	16 x 31.5	1140						