

GPL Series

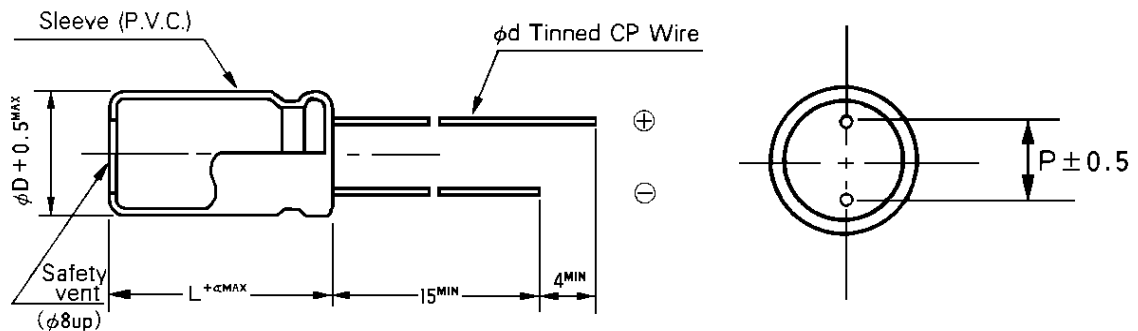


Features

- * Radial Low Leakage Type
- * Standard series for general purposes.
- * 2000 Hours lifetime at 85 °C.
- * Available with rubber or resin seals.
- * Solvent proof.

Item	Performance Characteristics					
Operating Temperature Range	-40 to + 85°C					
Working Voltage Range	10 to 50 Volts D.C.					
Nominal Capacitance Range	0.1 to 1000 uF					
Capacitance Tolerance	+/- 20 % (120 Hz, 20°C)					
Leakage Current (+20°C)	I= 0.002 CV or 0.4 uA whichever is greater, after 2 minutes of rated voltage					
Dissipation Factor % (120 Hz, +20°C)	Less than the value below					
	WVDC	10	16	25	35	50
Temperature Characteristics	tan δ (Max)	0.2	0.16	0.14	0.12	0.1
	Impedance Ratio at 120 Hz					
	WVDC	10	16	25	35	50
	Z(-25°C) / Z(+20°C)	3	2	2	2	2
	Z(-40°C) / Z(+20°C)	6	4	4	3	3
Load Life	<u>Test conditions</u>					
	Duration time:	2000 Hrs				
	Ambient temperature:	+85°C				
	Applied voltage:	Rated working voltage				
	Ripple Current:	Maximum rated ripple current.				
	<u>After testing--Measure at 20°C</u>					
	Capacitance change:	<= +/- 20% of initial measured value				
Dissipation factor:	<= 200% of initial specified value					
Leakage current:	<= The initial specified value					
Shelf Life	<u>Test Conditions</u>					
	Duration time:	1000 Hrs				
	Ambient temperature:	+85°C				
	Applied voltage:	None				
	<u>After testing--Measure at 20°C</u>					
	Same limits as for load life. Pretreatment before testing: According to JIS C-5102 4-3					
Marking	Black Print on Orange Sleeve					
Applicable Standards	Characteristic W of JIS C-5141					

Physical Dimensions and Mounting Details



Ø D	5	6.3	8	10	12.5
P	2.0	2.5	3.5	5.0	5.0
Ød	0.5	0.5	0.5	0.6	0.6
α Rubber Seal	1.0			1.5	
α Resin Seal	2.0			2.5	

Ir (mA) specified at 85°C and 120 KHz

GPL Standard Products Table 10 to 50 Volt

uF	10 V		16 V		25 V		35 V		50 V	
	Dia x L	Ir(mA)	Dia x L	Ir(mA)	Dia x L	Ir(mA)	Dia x L	Ir(mA)	Dia x L	Ir(mA)
0.1									5 x 11	1.1
0.15									5 x 11	1.6
0.22									5 x 11	2.3
0.33									5 x 11	3.5
0.47									5 x 11	5.0
0.68									5 x 11	7.3
1									5 x 11	10
1.5									5 x 11	16
2.2									5 x 11	23
3.3									5 x 11	35
4.7					5 x 11	35			5 x 11	45
6.8					5 x 11	45			5 x 11	50
10			5 x 11	50	5 x 11	55			5 x 11	60
15			5 x 11	60	5 x 11	65	5 x 11	70	6.3 x 11	85
22			5 x 11	75	5 x 11	80	6.3 x 11	95	6.3 x 11	100
33			5 x 11	90	6.3 x 11	105	6.3 x 11	115	8 x 11.5	145
47	5 x 11	100	6.3 x 11	120	6.3 x 11	130	8 x 11.5	160	8 x 11.5	175
68	6.3 x 11	130	6.3 x 11	145	8 x 11.5	180	8 x 11.5	190	10 x 12.5	225
100	6.3 x 11	155	8 x 11.5	200	8 x 11.5	215	10 x 12.5	250	10 x 16	295
150	8 x 11.5	220	8 x 11.5	250	10 x 12.5	280	10 x 16	330	10 x 20	395
220	8 x 11.5	270	10 x 12.5	320	10 x 16	370	10 x 20	435	12.5 x 20	530
330	10 x 12.5	350	10 x 16	425	10 x 20	495	12.5 x 20	590		
470	10 x 16	455	10 x 20	495						
1000	12.5 x 20	800								