

GMST Series

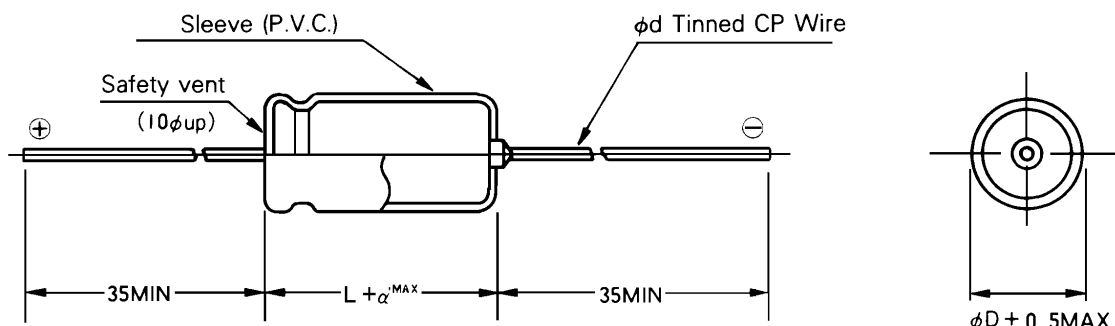


Features

- * Axial Mounting
- * Wide Temperature Range
- * 1000 Hour lifetime at 105°C
- * Solvent proof

Item	Performance Characteristics																														
Operating Temperature Range	-40°C to +105°C																														
Working Voltage Range	6.3 to 100 Volts D.C.																														
Nominal Capacitance Range	0.47 to 6800 uF																														
Capacitance Tolerance	+/- 20 % (120 Hz), 20°C																														
Leakage Current (+20°C)	I ≤ 0.03 CV or 4 uA, whichever is greater after 1 minute of applied voltage																														
	I ≤ 0.01 CV or 3 uA, whichever is greater after 2 minutes of applied voltage																														
Dissipation Factor % (120 Hz, +20°C)	Less than the value below																														
	<table border="1"> <thead> <tr> <th>WVDC</th> <th>6.3</th> <th>10</th> <th>16</th> <th>25</th> <th>35</th> <th>50</th> <th>63</th> <th>100</th> <th>120 Hz</th> </tr> </thead> <tbody> <tr> <td>tan δ (Max)</td> <td>0.24</td> <td>0.2</td> <td>0.16</td> <td>0.14</td> <td>0.12</td> <td>0.1</td> <td>0.09</td> <td>0.08</td> <td>20°C</td> </tr> </tbody> </table>	WVDC	6.3	10	16	25	35	50	63	100	120 Hz	tan δ (Max)	0.24	0.2	0.16	0.14	0.12	0.1	0.09	0.08	20°C										
	WVDC	6.3	10	16	25	35	50	63	100	120 Hz																					
tan δ (Max)	0.24	0.2	0.16	0.14	0.12	0.1	0.09	0.08	20°C																						
For capacitances of more than 1000uF, add 0.02 for every increase of 1000uf (120Hz, 20°C)																															
Temperature Characteristic	Impedance Ratio																														
	<table border="1"> <thead> <tr> <th>WVDC</th> <th>6.3</th> <th>10</th> <th>16</th> <th>25</th> <th>35</th> <th>50</th> <th>63</th> <th>100</th> <th>120 Hz</th> </tr> </thead> <tbody> <tr> <td>Z(-25°C) / Z(+20°C)</td> <td>4</td> <td>3</td> <td>2</td> <td>2</td> <td>2</td> <td>2</td> <td>2</td> <td>2</td> <td></td> </tr> <tr> <td>Z(-40°C) / Z(+20°C)</td> <td>10</td> <td>8</td> <td>6</td> <td>4</td> <td>3</td> <td>3</td> <td>3</td> <td>3</td> <td></td> </tr> </tbody> </table>	WVDC	6.3	10	16	25	35	50	63	100	120 Hz	Z(-25°C) / Z(+20°C)	4	3	2	2	2	2	2	2		Z(-40°C) / Z(+20°C)	10	8	6	4	3	3	3	3	
	WVDC	6.3	10	16	25	35	50	63	100	120 Hz																					
Z(-25°C) / Z(+20°C)	4	3	2	2	2	2	2	2																							
Z(-40°C) / Z(+20°C)	10	8	6	4	3	3	3	3																							
Load Life	<u>Test conditions</u>																														
	Duration:	1000 Hrs																													
	Ambient temperature:	+105°C																													
	Applied voltage:	Rated working voltage																													
	Ripple Current:	Maximum rated ripple current.																													
	<u>After testing--Measure at 20°C</u>																														
	Capacitance change:	≤ +/- 20% of initial measured value																													
Dissipation factor:	≤ 200% of initial specified value																														
Leakage current:	≤ The initial specified value																														
Shelf Life	<u>Test Conditions</u>																														
	Duration time:	1000 Hrs																													
	Ambient temperature:	+105°C																													
	Applied voltage:	None																													
	<u>After testing--Measure at 20°C</u>																														
	Same limits as for load life.																														
Pretreatment before testing:	According to JIS C-5102 4-3																														
Marking	White print on black sleeve																														
Applicable Standards	Characteristics of W of JIS C-5141																														

Physical Dimensions and Mounting Details



Diameter	5~12.5	16~18
Lead Diameter	0.6	0.8
α	1.0	

GMST Series



Ir (mA) specified at 105°C and 120 KHz

GMST Standard Products Table 6.3 to 25 Volt

uF	6.3 V		10 V		16 V		25 V	
	Dia x L	Ir(mA)	Dia x L	Ir(mA)	Dia x L	Ir(mA)	Dia x L	Ir(mA)
4.7							5 x 12.5	25
10							5 x 12.5	37
22					5 x 12.5	52	6.3 x 12.5	61
33			6.3 x 12.5	64	6.3 x 12.5	70	6.3 x 12.5	75
47			6.3 x 12.5	77	6.3 x 12.5	84	6.3 x 16	100
100	6.3 x 12.5	100	6.3 x 16	125	8 x 16	150	8 x 16	160
220	8 x 16	190	8 x 16	205	8 x 16	220	8 x 20	260
330	8 x 16	230	8 x 16	250	8 x 20	300	10 x 21	360
470	8 x 20	305	8 x 20	330	10 x 21	405	10 x 26	475
1000	10 x 26	555	10 x 26	595	12.5 x 26	715	12.5 x 26	765
2200	12.5 x 26	865	12.5 x 31	1000	16 x 31	1170	16 x 41	1410
3300	16 x 31	1030	16 x 31	1270	16 x 41	1550	18 x 41	1610
4700	16 x 31	1370	16 x 41	1650	18 x 41	1740		
6800	16 x 41	1760	18 x 41	1820				

GMST Standard Products Table 35 to 100 Volt

uF	35 V		50 V		63 V		100 V	
	Dia x L	Ir(mA)	Dia x L	Ir(mA)	Dia x L	Ir(mA)	Dia x L	Ir(mA)
0.47			5 x 12.5	5	5 x 12.5	6	5 x 12.5	10
1			5 x 12.5	10	5 x 12.5	13	5 x 12.5	16
2.2			5 x 12.5	20	5 x 12.5	22	5 x 12.5	23
3.3			5 x 12.5	25	5 x 12.5	26	6.3 x 12.5	31
4.7	5 x 12.5	27	5 x 12.5	30	5 x 12.5	32	6.3 x 12.5	37
10	5 x 12.5	40	6.3 x 12.5	49	6.3 x 12.5	51	8 x 16	67
22	6.3 x 12.5	66	6.3 x 16	81	8 x 16	94	8 x 16	100
33	6.3 x 16	91	8 x 16	110	8 x 16	115	8 x 20	135
47	8 x 16	120	8 x 16	130	8 x 16	135	10 x 21	180
100	8 x 20	190	8 x 20	210	10 x 21	245	12.5 x 26	320
220	10 x 21	320	10 x 26	385	12.5 x 26	445	12.5 x 31	510
330	10 x 26	430	12.5 x 26	520	12.5 x 26	545	16 x 41	775
470	12.5 x 26	565	12.5 x 26	620	12.5 x 31	705	16 x 41	930
1000	12.5 x 31	890	16 x 31	1060	16 x 41	1270		
2200	16 x 41	1510	18 x 41	1610				

GMST Application Data

Frequency Multiplier

uF	50 Hz	120 Hz	300 Hz	1 KHz	10 KHz
~ 47	0.75	1	1.35	1.57	2.00
100 ~ 470	0.8	1	1.23	1.34	1.50
1000 ~ 6800	0.85	1	1.10	1.13	1.15

Temperature Multiplier

Temp °C	70	85	105
Multiplier	1.62	1.4	1.00